

RECOMMENDED PCB LAYOUT

Pin No.	DIM A	DIM B	DIM C	DIM D
4	6.30	2.56	1.50	4.50
8	8.30	4.56	3.50	6.50
10	9.30	5.56	4.50	7.50
20	14.30	10.56	9.50	12.50
24	16.30	12.56	11.50	14.50
30	19.30	15.56	14.50	17.50
40	24.30	20.56	19.50	22.50
45	26.80	23.06	22.00	25.00
50	29.30	25.56	24.50	27.50
56	32.30	28.56	27.50	30.50
60	34.30	30.56	29.50	32.50
68	38.30	34.56	33.50	36.50
80	44.30	40.56	39.50	42.50
96	52.30	48.56	47.50	50.50

NOTES:

1. MATERIAL:

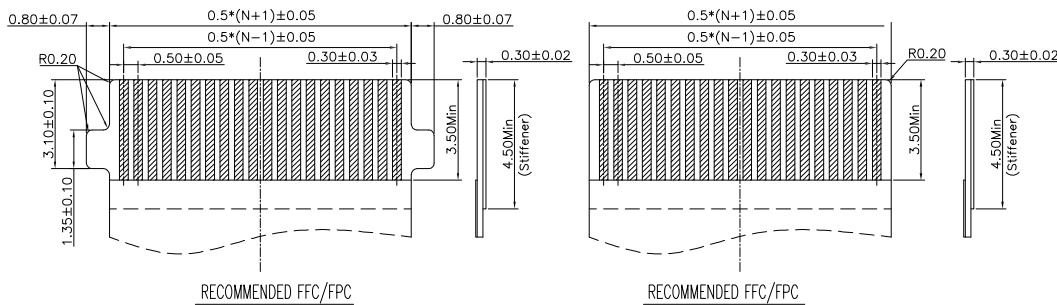
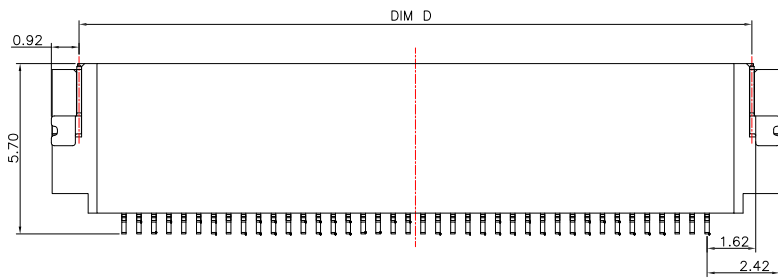
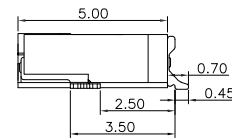
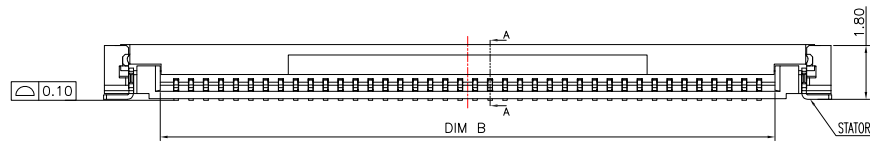
- 1.1 HOUSING: LCP,COLOR:NATURAL
- 1.2 COVER: LCP,UL 94-V0,COLOR:BLACK
- 1.3 CONTACT: PHOSPHOR BRONZE
- 1.4 STATOR: PHOSPHOR BRONZE

2. PLATING:

- 2.1 CONTACT: GOLD OR TIN PLATED ON NICKEL OVERALL
- 2.2 STATOR: TIN PLATED ON NICKEL OVERALL

3. RATING:

- 3.1 CURRENT RATING: 0.5A AC/DC
- 3.2 VOLTAGE RATING: 50V AC/DC
- 3.3 TEMPERATURE RANGE: -40°C~+85°C



ITEM NO.	DESCRIPTION	DRAWN	DATE
3	更新樣式和PCB LAYOUT	Jack	021423
2	新增LOGO標示	Jack	111621
1	更新PIN選項	Jack	040919



TOLERANCE UNLESS OTHERWISE STATED:  
 Up to 5 ±0.2  
 Above 5 ~ 15 ±0.3  
 Above 15 ~ 30 ±0.4  
 Above 30 ~ 50 ±0.5  
 Angle ±0.3°

3RD. ANGEL'S

UNITS MM

DRAWN BY:	DATE	MAT'L	TITLE	CONNECTOR
Jack Lu	02/14/23			
CHECKED BY:	DATE	FINISH	MODLE	0.5mm FPC H:1.8mm 前掀蓋 帶蝴蝶扣
Jacky Chen	02/14/23			
APPROVED BY:	DATE	SCALE	DWG NO.	FPC05L-18xx-B2-S304
Tony Kao	02/14/23	1 : 1	PART NO.	FPC05L-18xx-B2-S304
		SHEET NO.	1 of 1	
				SIZE A4
				VER R3